

Original BMW Accessory. Installation Instructions.



iPod Interface Retrofit

BMW 5 Series (E60, E61)

BMW 6 Series (E63, E64)

These installation instructions are only valid for cars without SA 672 (CD changer) or SA 694 (CD changer preparation).

Retrofit kit No. 65 41 0 412 881 iPod interface retrofit kit

Installation time

The installation time is approx. 1.0 hours, but may vary depending on the condition of the car and the equipment in it.

In general the car must be upgraded to the latest I stage status by flashing before starting the work. Depending on the production age of the car and the work already carried out on the car, the programming times will vary, which means that we cannot quote a specific time at this point.

The installation time does not include any time for programming/encoding, as this depends on the age of the car and the equipment in it.

Important information

These installation instructions are primarily designed for use within the BMW dealership organisation and by authorised BMW service companies.

In any event, the target group for these installation instructions is specialist personnel trained on BMW cars with the appropriate specialist knowledge.

All work must be completed using the latest BMW repair manuals, circuit diagrams, servicing manuals and work instructions, in a rational order, using the prescribed tools (special tools) and observing current health and safety regulations.

To avoid unnecessary extra work and/or costs, if any installation or function problem occurs, after a brief troubleshooting session (approx. 0.5 hours), please contact the following:

1. Either your national subsidiary or your regional office, or

2. The Support team via the Aftersales Assistance Portal (ASAP), using the optional technical parts support application.

Specify the chassis number and the part number of the installed retrofit kit and give a precise description of the problem.

Do not archive the hard copy of these installation instructions since daily updates are made by ASAP!

Pictograms



Denotes instructions that draw your attention to special features.

◀ Denotes the end of the instruction or other text.

Subject to technical modifications.

Installation information

All pictures show LHD cars; proceed accordingly on RHD cars.

Ensure that the cables/lines are not kinked or damaged as you install them in the car. Costs incurred as a result of this will not be reimbursed by BMW AG.

Additional cables/lines that you install must be secured with cable ties.

If the specified PIN chambers are occupied, bridges, double crimps or twin-lead terminals must be used.

After the installation work the retrofit must be programmed / coded using SSS (software service station) via the **Retrofit** path.

When routing fibre optic cables, make sure the bending radius is no less than 25 mm.

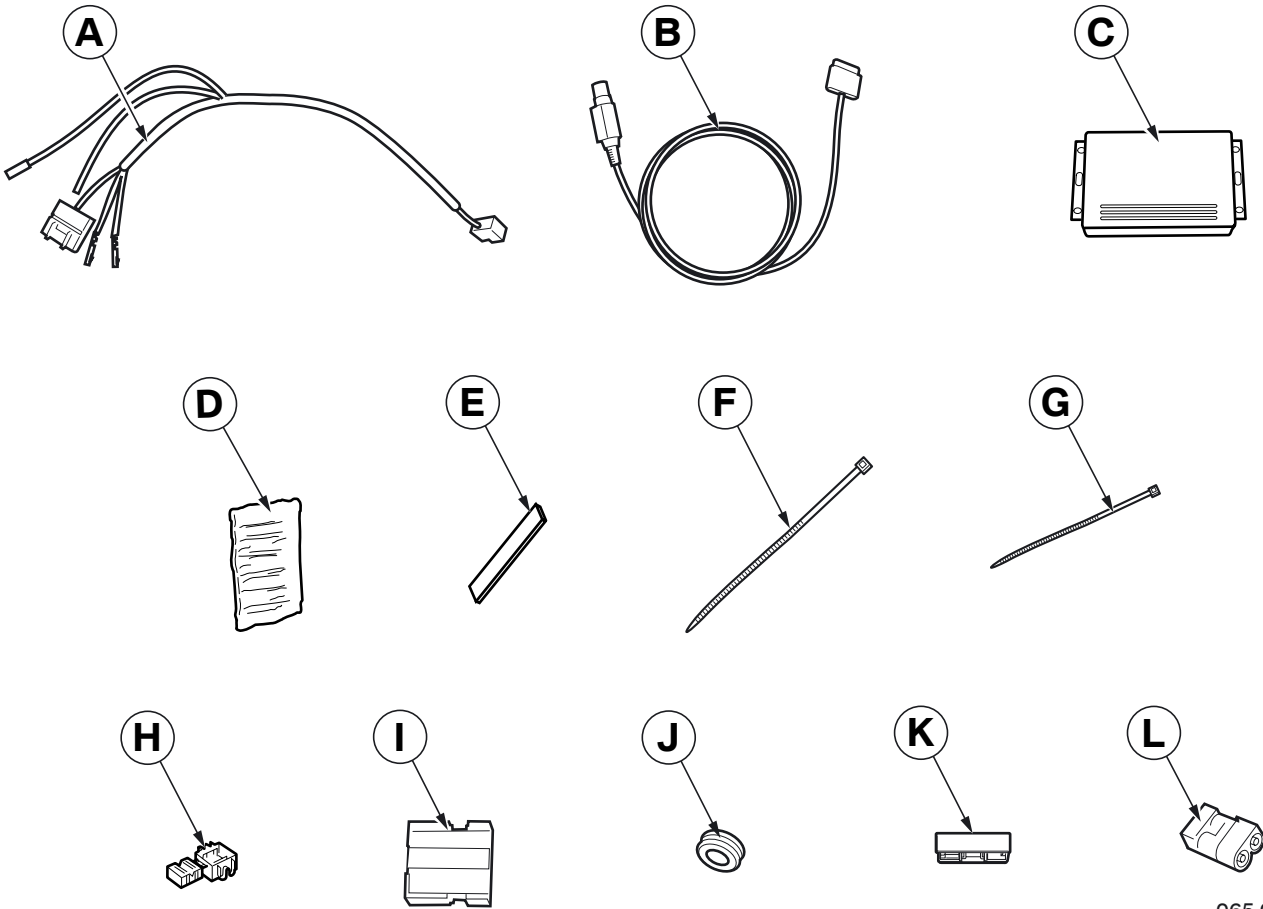
Special tools required

00 9 317, Trim wedge

Contents

Section	Page
1. Parts overview.....	4
2. Preparatory work	5
3. Connections diagram	6
4. Installation and cabling diagram.....	7
5. To install the connection cable	8
6. To connect the wiring harness	9
7. To install and connect the interface	10
8. Concluding work and coding	11
9. Circuit diagram	12

1. Parts overview



065 0757 Z

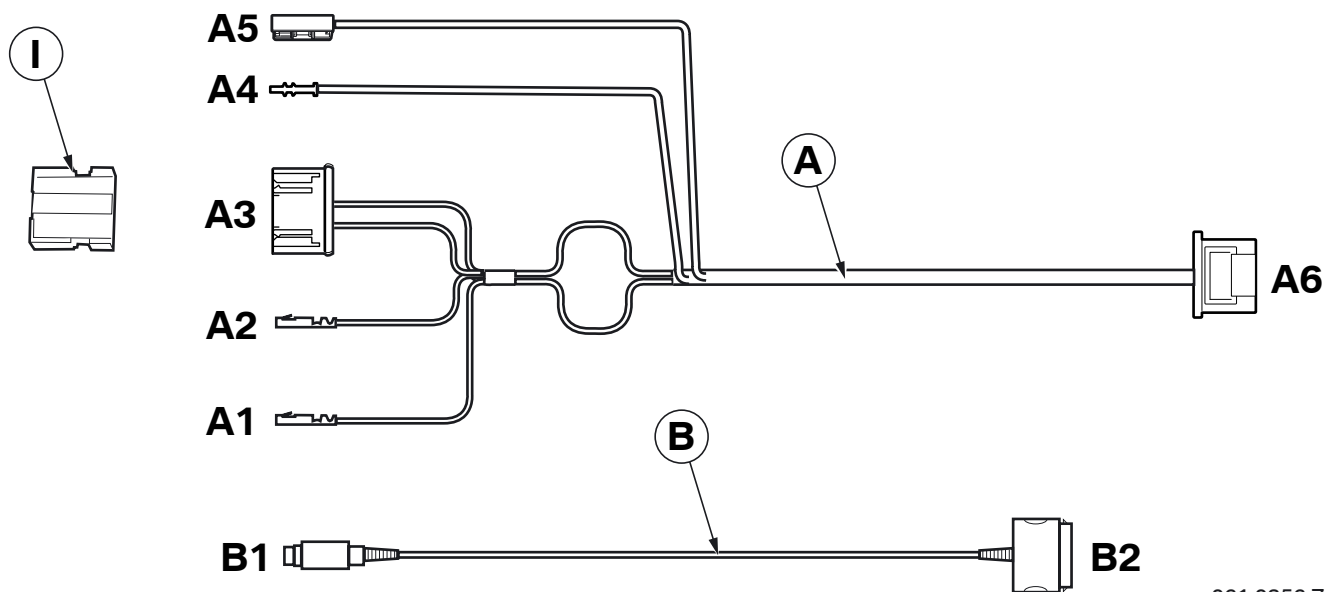
Legend

- A** Wiring harness
- B** Connection cable
- C** Interface
- D** Felt (4x)
- E** Sealing strip (4x, not required)
- F** Cable tie 445 x 4.8 mm (2x)
- G** Cable tie 200 x 3.6 mm (10x)
- H** Miniature connector (2x, not required)
- I** 4-pin socket casing SW
- J** Grommet
- K** Fibre optic cable connector (not required)
- L** Fibre optic cable connector (not required)

2. Preparations

	TIS No.
Conduct a brief test	---
Disconnect negative pole of battery	12 00 ...
The following components must be removed first of all	
Décor trim on right of instrument panel	51 45 380
Glove compartment	51 16 360
Heating/air-conditioning control	64 11 377
Audio system controller (ASK) or Car Communication Computer (CCC)	65 12 200 65 83 010

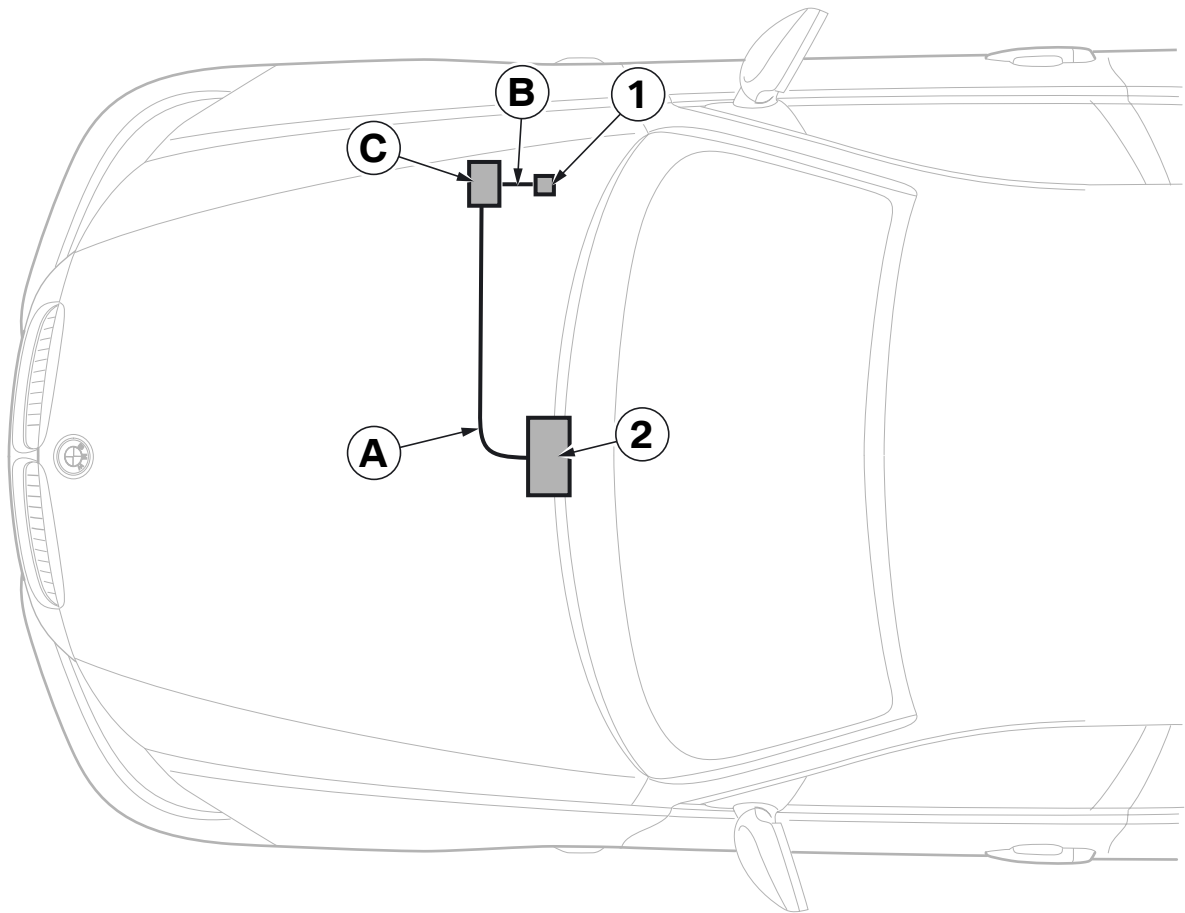
3. Connections diagram



061 0356 Z

Branch /Item	Designation	Signal	Cable colour / Cross-section	Connection location in car	Abbreviation / Slot
A	Wiring harness	---	---	---	---
A1	Socket contact	Terminal 30	RT 2.5 mm ²	To ASK or CCC	X13812 PIN 15
A2	Socket contact	Terminal 31	BR 2.5 mm ²	To ASK or CCC	X13812 PIN 12
A3	Black 4-pin plug casing	---	---	To socket casing I	---
A4	Fibre optic cable	MOST	GN	To ASK or CCC	X13815 PIN 2
A5	Fibre optic cable connector	MOST	GN	To disconnected fibre optic cable from ASK or CCC	---
A6	4+2-pin SW socket casing	---	---	To interface C	---
B	Connection cable	---	---	---	---
B1	12-pin socket casing SW	---	---	To interface C	---
B2	iPod connection plug	---	---	On iPod	---
I	4-pin socket casing SW	---	---	With the disconnected cables from the ASK or CCC to branch A3	---

4. Installation and cabling diagram

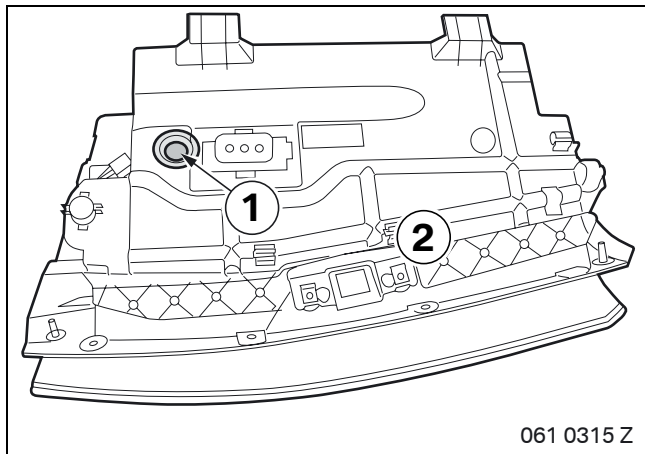


061 0318 Z

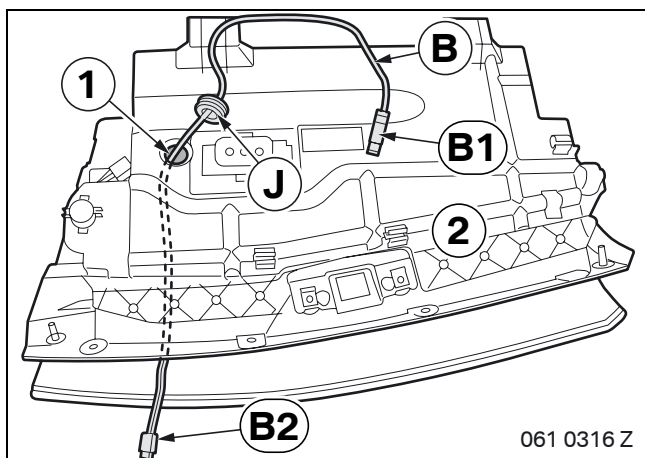
Legend

- A** Wiring harness
 - B** Connection cable
 - C** Interface
-
- 1** iPod connection plug **B2**
 - 2** ASK or CCC, plugs **X13812** and **X13815**

5. To install the connection cable

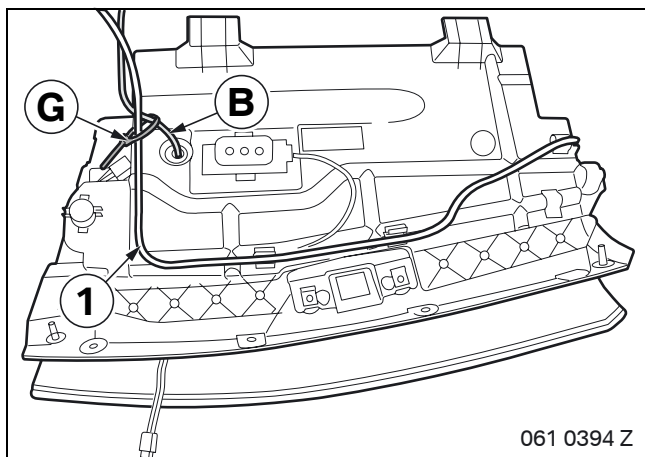


Drill through the glove compartment (2) in the centre of the marked area (1) using an 18 mm step drill.



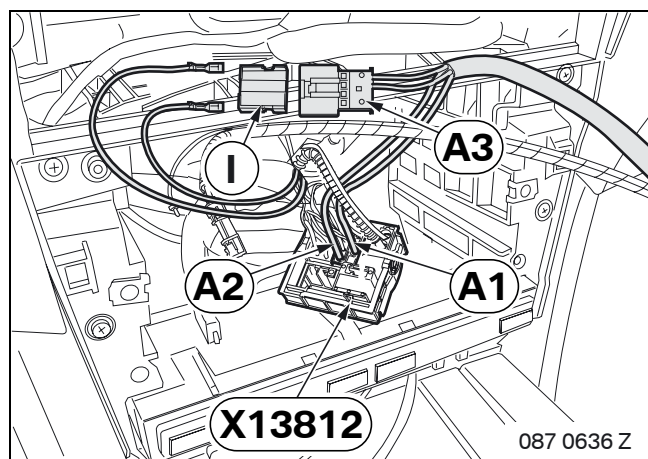
Install connection cable **B** as follows:

- Route branch **B1** through the hole (1)
- Push branch **B1** onto grommet **J** and insert it into the hole (1)
- Pull branch **B1** through grommet **J** until iPod connection plug **B2** is just over the outside edge of the glove compartment (2)



Use cable tie **G** to secure connection cable **B** to the standard wiring harness (1) to act as strain relief.

6. To connect the wiring harness



Disconnect the following cables from plug **X13812** (16-pin SW) of the ASK or CCC and connect them to socket casing **I**:

- RT/BR cable from PIN 15 to socket casing **I** PIN 1
- BR cable from PIN 12 to socket casing **I** PIN 2

Connect branches **A1** and **A2** to plug **X13812** as follows:

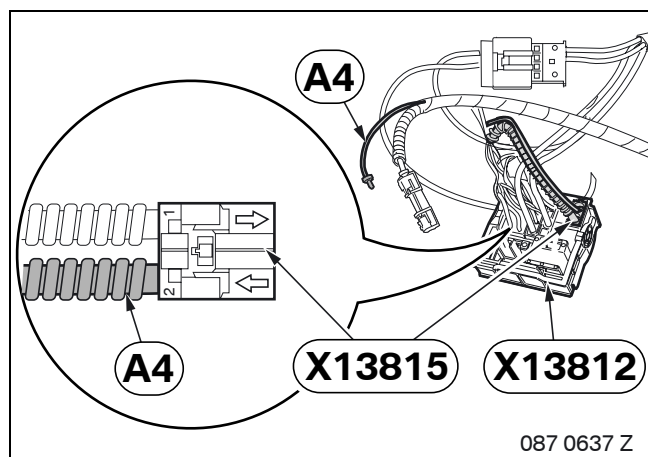
- Branch **A1**, RT cable, to PIN 15
- Branch **A2**, BR cable, to PIN 12

Connect branch **A3** to socket casing **I**.

Unclip fibre optic cable casing **X13815** (2-pin SW) from plug **X13812** (16-pin SW) on the ASK or CCC.

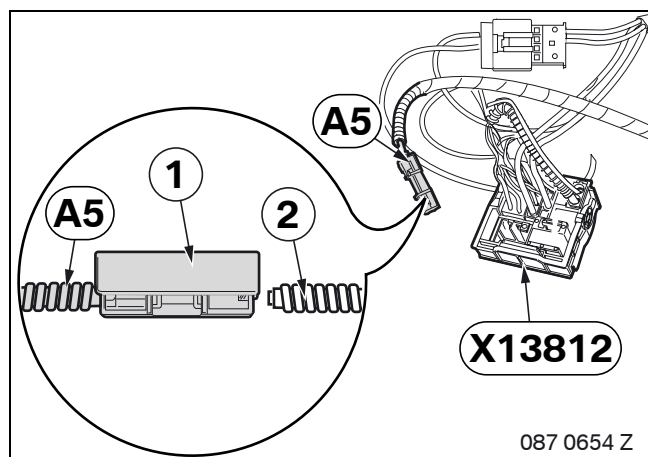
Disconnect the outgoing fibre optic cable from fibre optic cable casing **X13815**, PIN 2 and connect branch **A4**.

Clip fibre optic cable casing **X13815** to plug **X13812**.

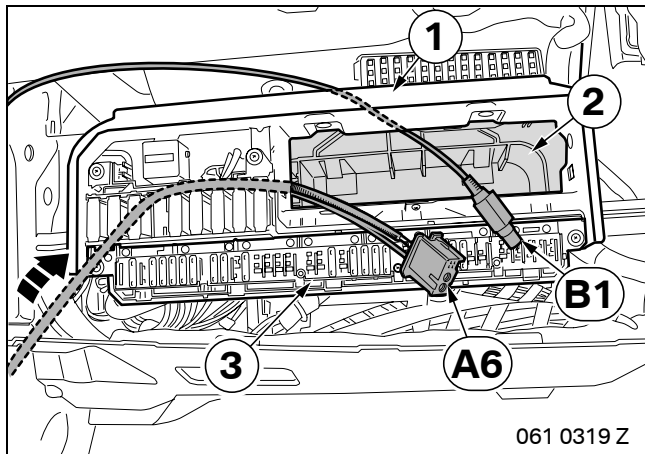


Release the fibre optic cable connector (1) on branch **A5** and connect the disconnected fibre optic cable (2).

Connect plug **X13812** (16-pin SW) to ASK or CCC.



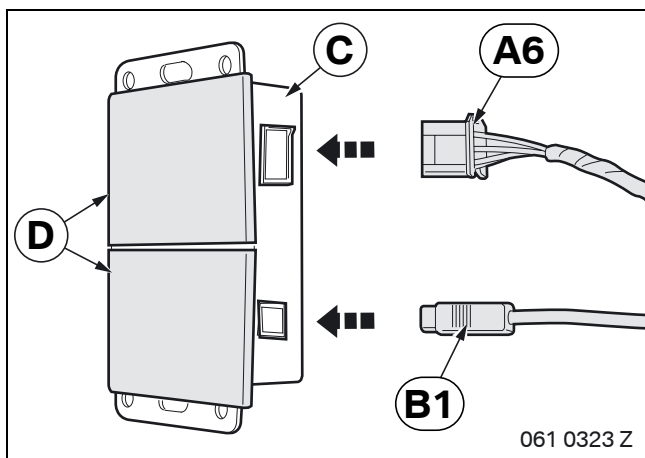
7. To install and connect the interface



▣ Branches **A6** and **B1** must be led out of the slot (2) in the carrier (1) from the rear. ◀

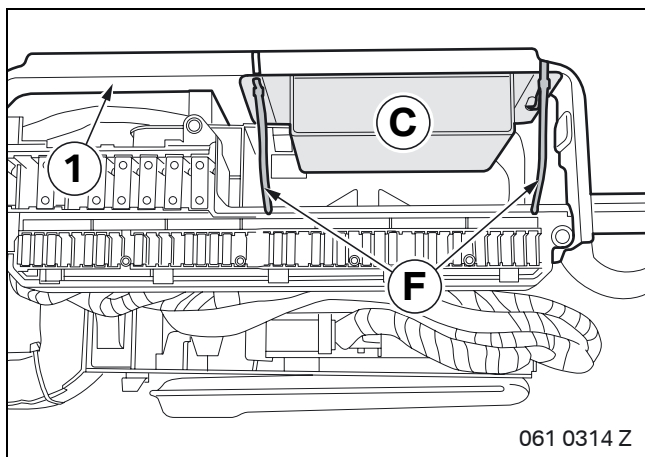
Route branch **A6** along the standard wiring harness to the fuse holder (3).

Route branch **B1** to the fuse holder (3).



Affix felt **D** to the back of interface **C**.

Connect branches **A6** and **B1** to interface **C**.



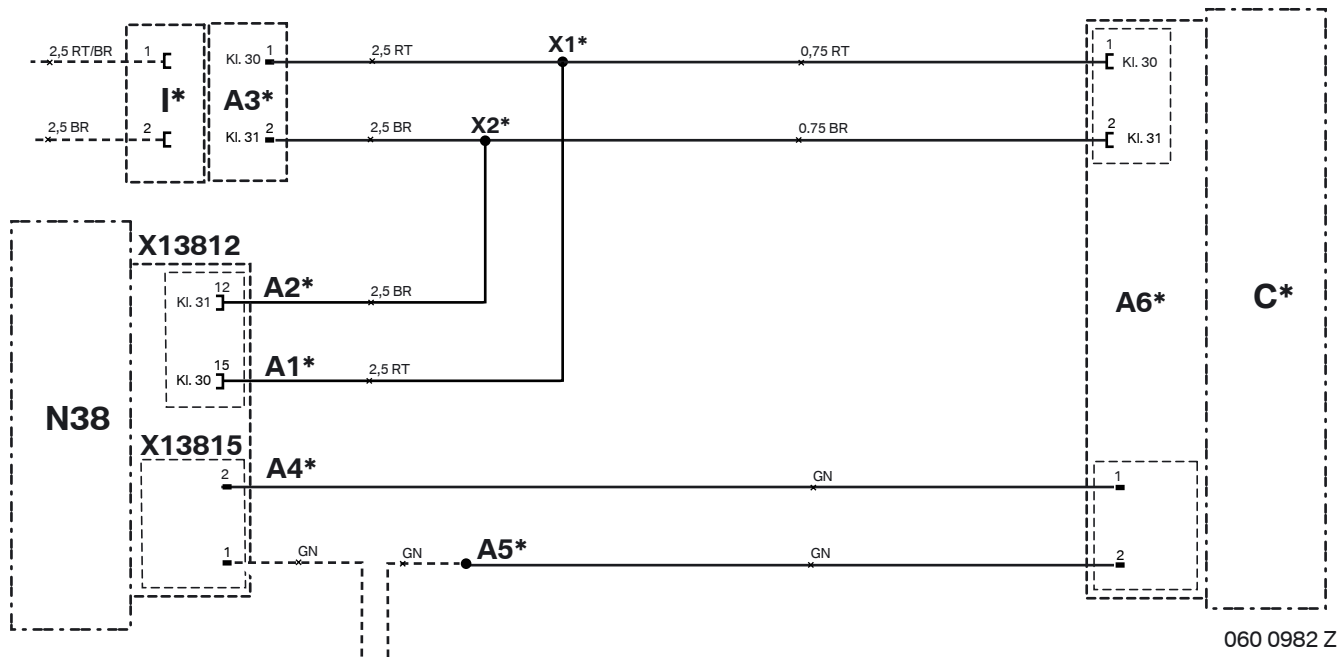
Secure interface **C** to the support (1) using cable ties **F**.

8. Concluding work and coding

This retrofit system requires coding.

- Connect the battery
- Encode/Program the retrofit with SSS (software service station) via the **Retrofit** path
- Conduct a brief test
- Conduct a function test
- Re-assemble the car

9. Circuit diagram



Legend

- A1*** Socket contact
- A2*** Socket contact
- A3*** Black 4-pin plug casing
- A4*** Fibre optic cable
- A5*** Fibre optic cable connector
- A6*** 4+2-pin SW socket casing

- C*** Interface

- I*** 4-pin socket casing SW

- N38** ASK or CCC

- X1*** Terminal 30 connector
- X2*** Terminal 31 connector
- X13812** 16-pin socket casing SW
- X13815** Black 2-pin fibre optic cable casing

All the designations marked with an asterisk (*) apply only to these installation instructions or this circuit diagram.

Cable colours

- | | | | |
|----|-------|----|-------|
| BR | Brown | RT | Red |
| GN | Green | SW | Black |